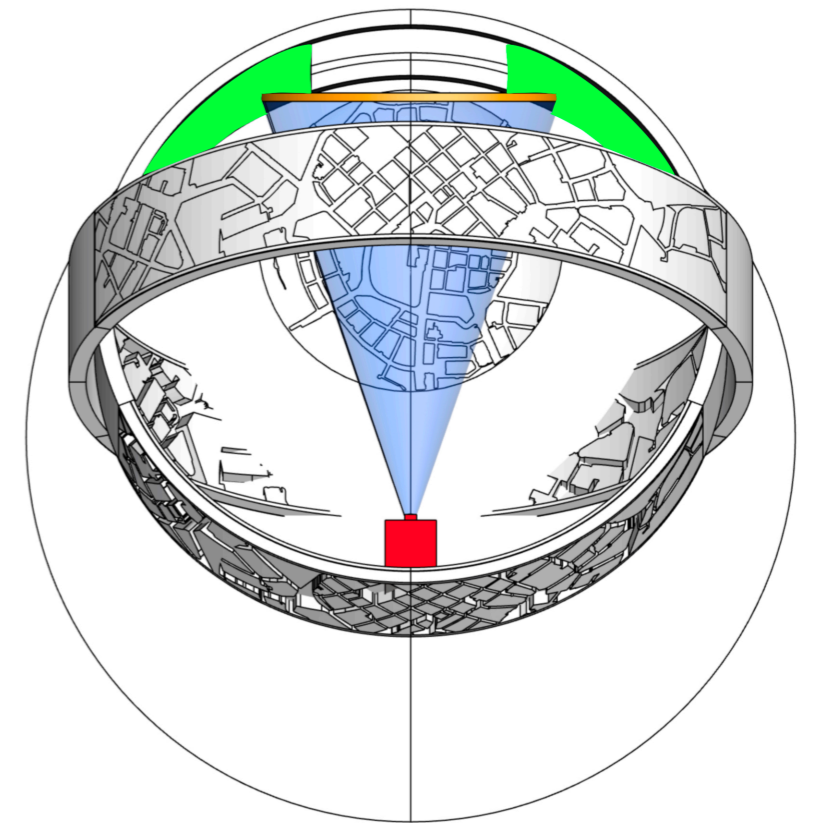
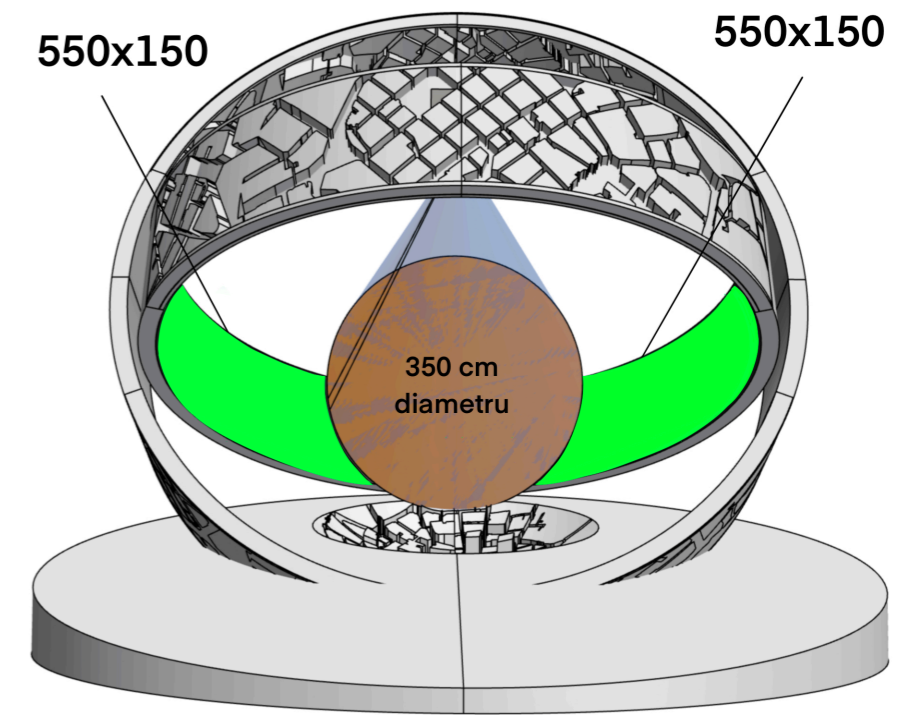
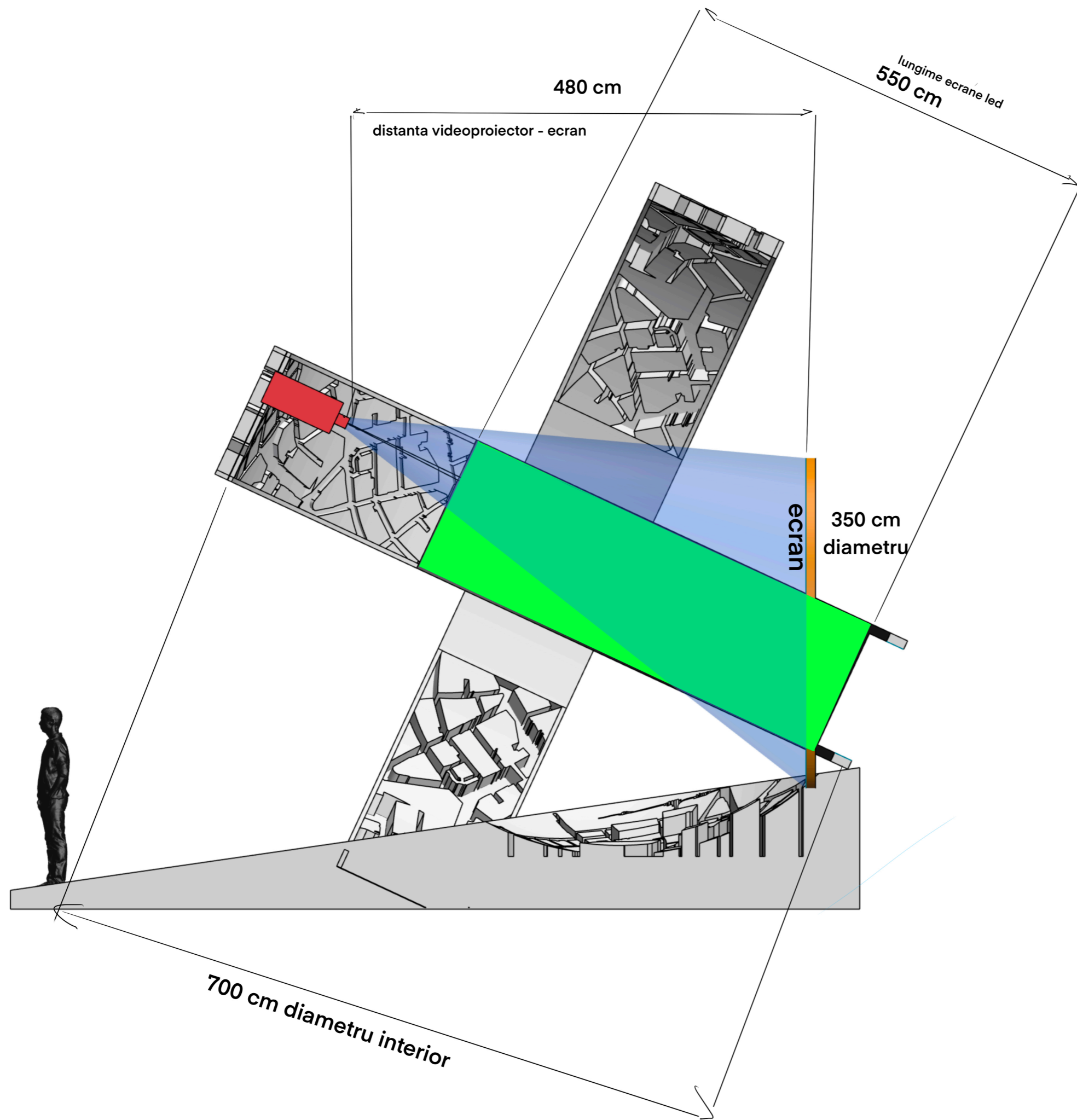
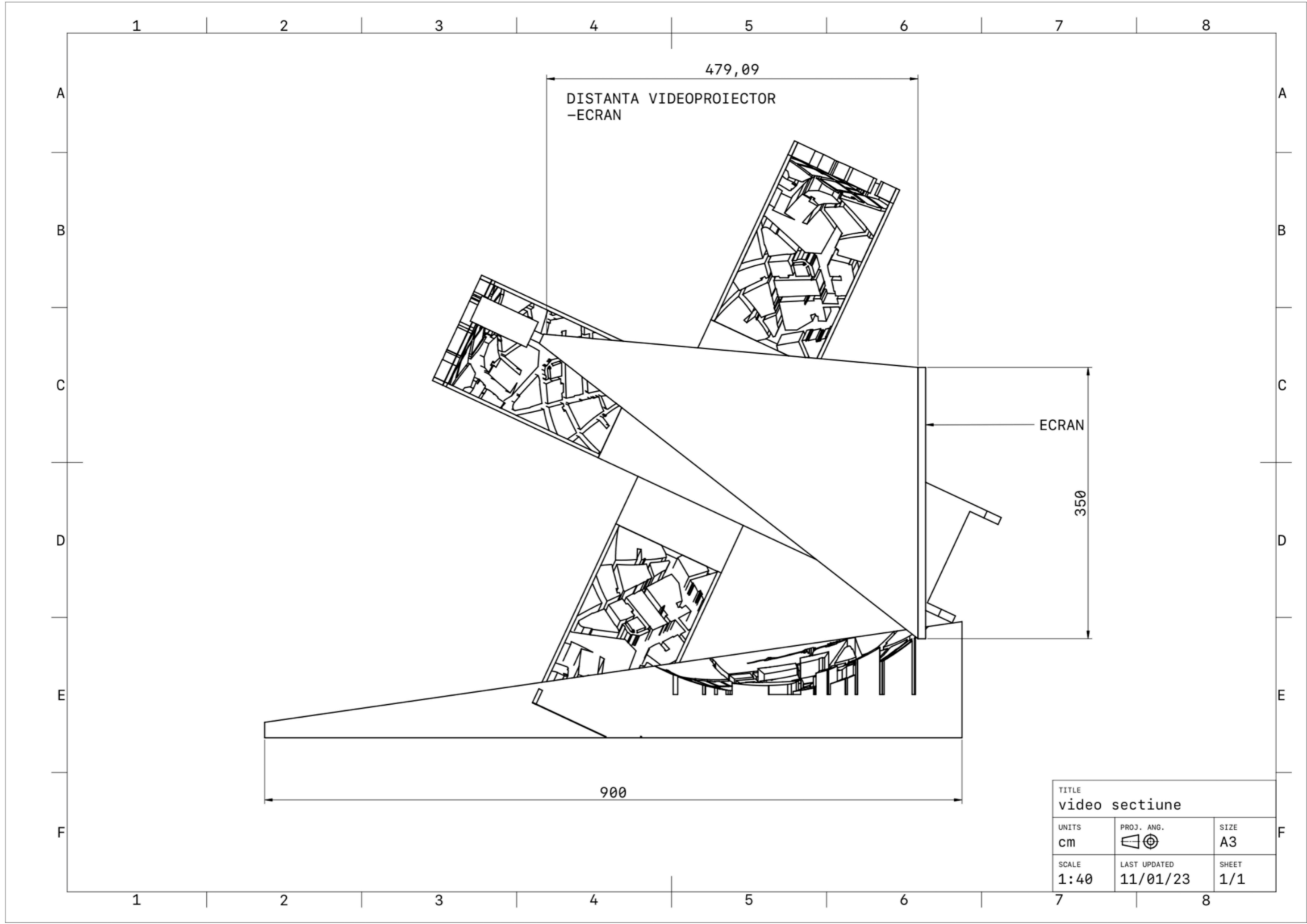



| | | |
|-------------------|--------------|-------|
| TITLE | | |
| plantatie TM gala | | |
| UNITS | PROJ. ANG. | SIZE |
| cm | | A3 |
| SCALE | LAST UPDATED | SHEET |
| 1:100 | 11/01/23 | 1/1 |





| | | |
|-------------------------|---|--------------|
| TITLE video sectiune | | |
| UNITS cm | PROJ. ANG.  | SIZE A3 |
| SCALE 1:40 | LAST UPDATED 11/01/23 | SHEET 1/1 |

1

2

3

4

5

6

7

8

A

B

C

D

E

F

A

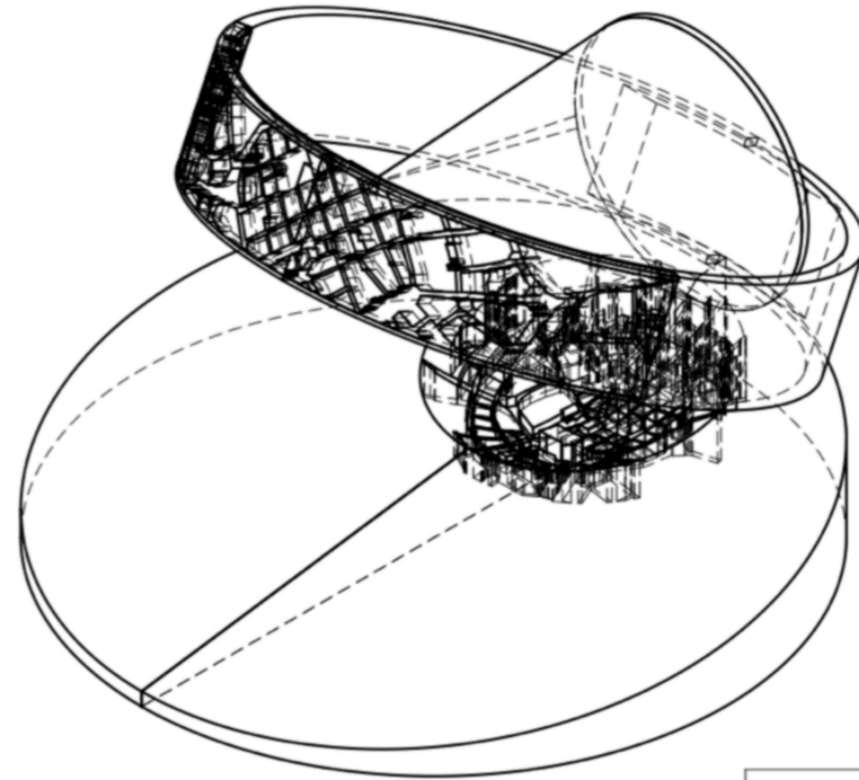
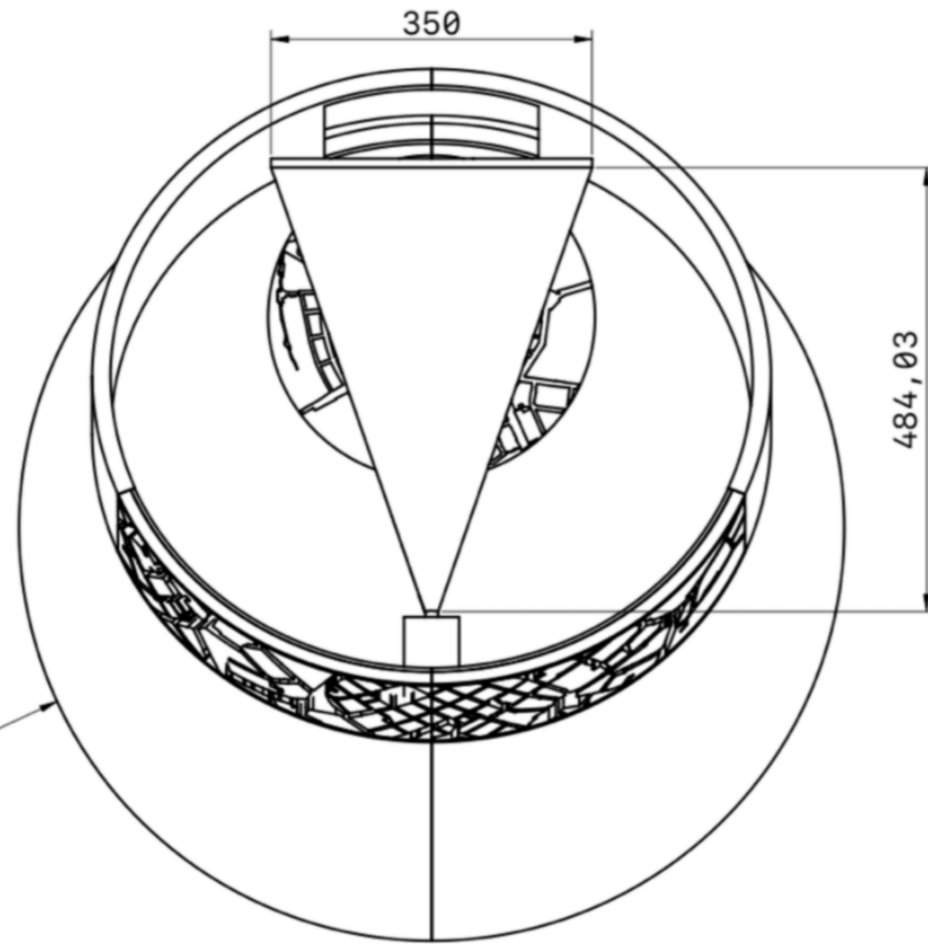
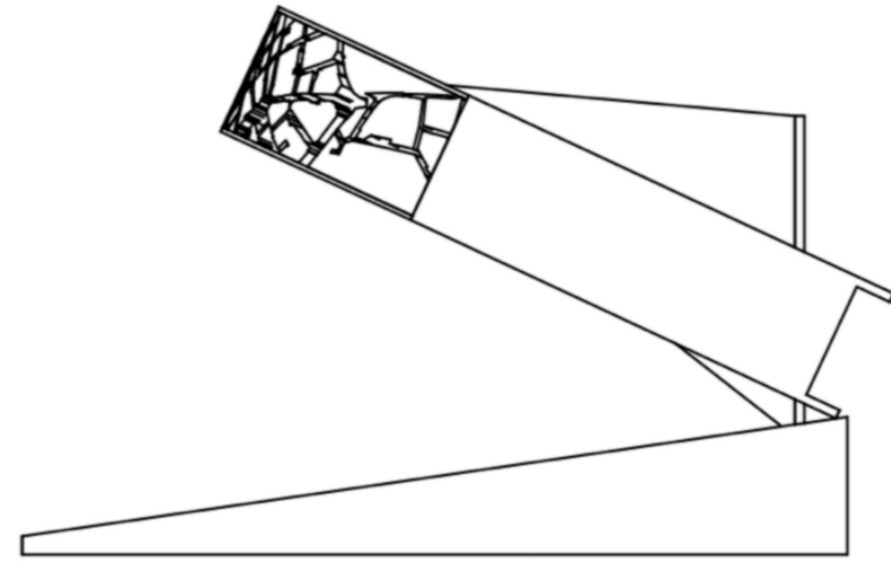
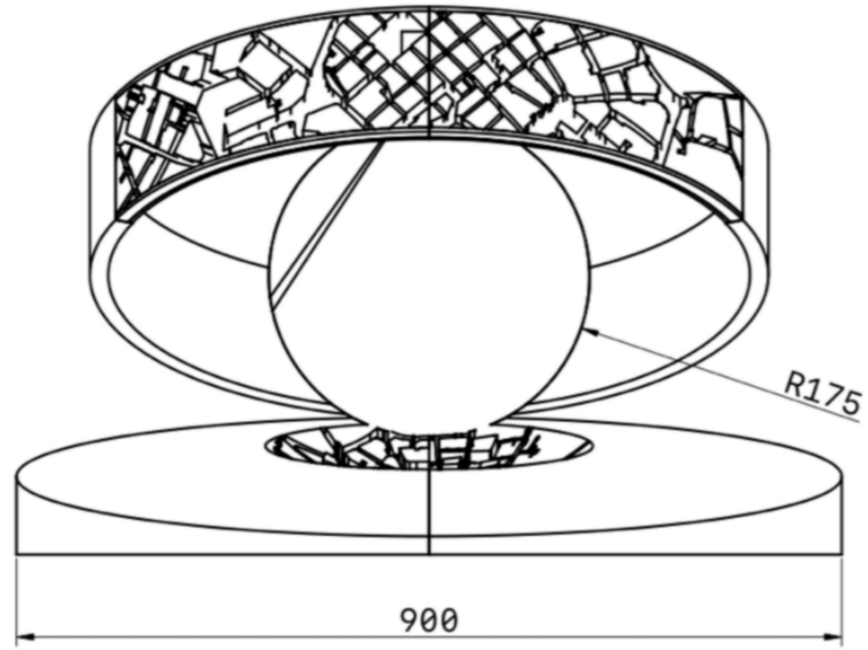
B

C

D

E

F



| | | |
|--------------------|--------------------------|--------------|
| TITLE ecran led | | |
| UNITS cm | PROJ. ANG. | SIZE A3 |
| SCALE 1:75 | LAST UPDATED 11/01/23 | SHEET 1/1 |

1

2

3

4

5

6

7

8